

Series UFV | with climate-neutral refrigerants

The BINDER ultra low temperature freezer ensures the safe storage of samples at -80 °C. It combines outstanding environmental friendliness with low energy consumption, convenient operation and an individual safety concept.



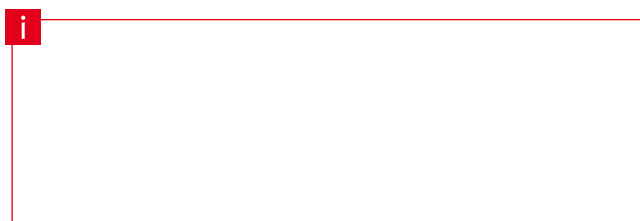
UVF 500 model

MAIN FEATURES

- Range of temperature controller: -90 °C to -40 °C
- Lowest energy consumption in its class
- Powerful cascade compressor cooling unit
- Environmentally friendly refrigerants R-290 and R-170
- Efficient thermal insulation with vacuum insulation panels
- Innovative door gasket concept reduces buildup of ice
- Ergonomic door handle
- Rust-proof interior made completely of stainless steel
- Detachable inner doors made of stainless steel
- 3 stainless-steel shelves providing flexible placement

AVAILABLE SIZES

Model	Interior volume [L]	Online data sheets
UFV 500	477	› go2binder.com/en-UFV500
UFV 700	700	› go2binder.com/en-UFV700



TECHNICAL DATA

Description	UF V 500	UF V 700
Outer dimensions		
Width net [mm]	826	1110
Height net [mm]	1966	1966
Depth net [mm]	938	938
Internal Dimensions		
Width [mm]	606	890
Height [mm]	1300	1300
Depth [mm]	605	605
Measures		
Interior volume [L]	477	700
Net weight of the unit (empty) [kg]	247	288
permitted load [kg]	200	200
Performance Data Temperature		
Temperature range [°C]	-90...-40	-90...-40
Temperature variation at -80 °C [± K]	2.5	2.5
Temperature fluctuation at -80 °C [± K]	1.5	1.5
Warm-up time during power failure from -80 °C / -122 °F to -60 °C / -76 °F [min]	230	250
Electrical data		
Nominal power (version 120 V) [kW]	1.6	1.6
Nominal power (version 230 V) [kW]	1.6	1.6
Nominal power (version 240 V) [kW]	1.6	1.6
Environment-specific data		
Energy consumption at set-point -80 °C and ambient temperature = 21 °C [kWh/d]	7.9	8.1
Fixtures		
Number of shelves (std./max.)	3/13	3/13

ORDERING INFORMATION [Art. No.]

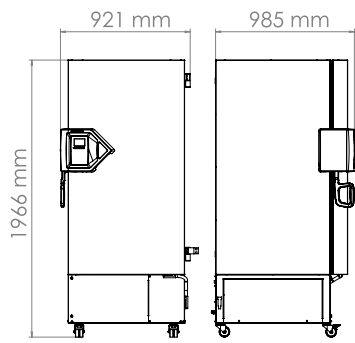
Further details: Go to www.binder-world.com > Search > Enter Article Number

Voltage	Option model	UF V 500	UF V 700
240 V 1~ 60 Hz	Standard	9020-0353	9020-0354
230 V 1~ 50 Hz	Standard	9020-0347	9020-0348
	Water cooling	9020-0349	9020-0350
120 V 1~ 60 Hz	Standard	9020-0351	9020-0352

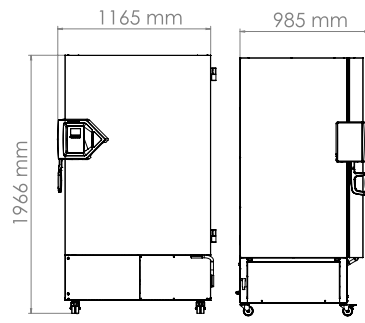
► You will find a selection of options, accessories and services suitable for each product on page 9

DIMENSIONS incl. fittings and connections [mm]

UFV 500



UFV 700



EXCERPT FROM OPTIONS AND ACCESSORIES

Foam-filled compartment doors with gasket

Ideal for applications where doors are opened frequently.
Series UFV

Door access system

Consisting of electromechanical door locking mechanism and electronic access control via NumPad.
Series UFV

Alarm system

Battery-backed system for maintaining temperature display, visual and audible alarm messages, and data communication.
Series UFV

Chamber racks

Large selection of racks made of aluminum or stainless steel, as well as cryoboxes.
Series UFV

Services

You can access our installation, maintenance, calibration, validation, or warranty services by taking out a Maintenance Service Agreement or by simply getting in touch when you need us. More information is available in the accessories and services chapter.
Series UFV

BINDER INDIVIDUAL

Using a BINDER series production product as a basis, we develop individual solutions as a single unit or in small batches. All products are tested, certified, and supplied with a full functional guarantee and warranty. More information is available in the accessories and services chapter.
Series UFV

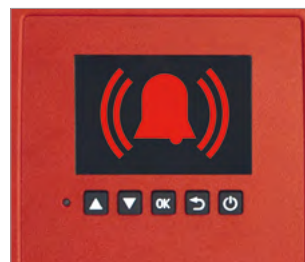
► All extras online go2binder.com/en-options



Foam-filled compartment doors with gasket



Door access system



Alarm system



Selection of racks and boxes



WolfLabs

Pricing on any accessories shown can be found by keying the part number into the search box on our website.

The specifications listed in this brochure are subject to change by the manufacturer and therefore cannot be guaranteed to be correct. If there are aspects of the specification that must be guaranteed, please provide these to our sales team so that details can be confirmed.

www.wolflabs.co.uk

Tel : 01759 301142

Fax : 01759 301143

sales@wolflabs.co.uk

Please contact us if this literature doesn't answer all your questions.